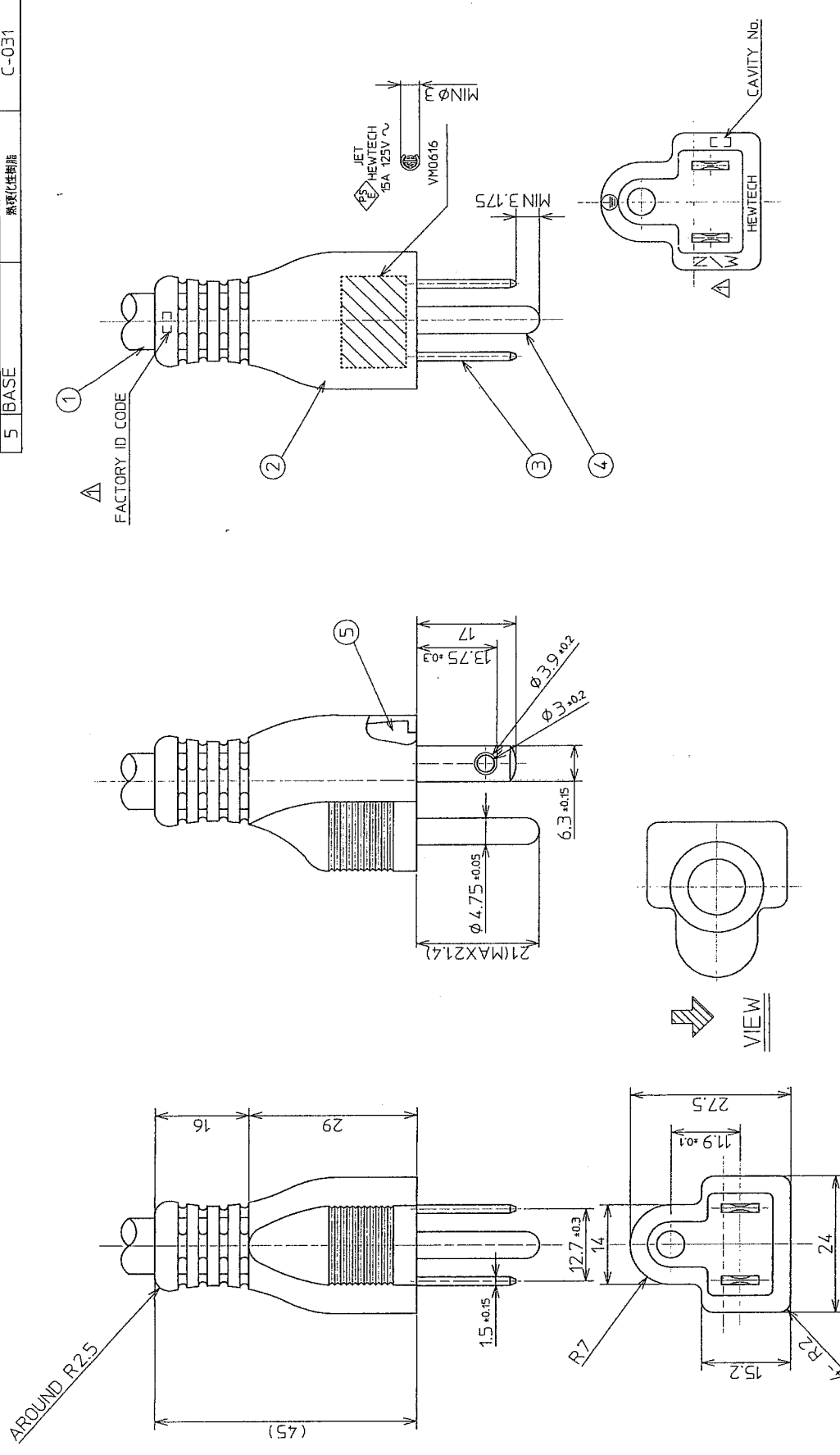


IT	NAME	MATERIAL	REMARK
1	CORD	3X1KAWG	
2	BODY	PVC	
3	CONTACT BLADE	C2680RC-1/2H MBNI	A-386
4	EARTH PIN	C2680RC-1/2H MBNI	A-267A
5	BASE	熱硬化性樹脂	C-031



ANGLE	SCALE	UNIT	NAME
DR. J. Nagashima	DATE Jul.04'07	mm	3P-PLUG
CH. T. Aizawa	DATE Jul.04'07		PART NO. VM06160-A0
APP. S. Nakayama	DATE Jul.17'07		DRAWING NO. MC0282CB

TOLERANCE	SCALE	UNIT	NAME
DR. J. Nagashima	DATE Jul.04'07	mm	3P-PLUG
CH. T. Aizawa	DATE Jul.04'07		PART NO. VM06160-A0
APP. S. Nakayama	DATE Jul.17'07		DRAWING NO. MC0282CB

DR.	DATE	SCALE	UNIT	NAME
J. Nagashima	Jul.04'07		mm	3P-PLUG
T. Aizawa	Jul.04'07			PART NO. VM06160-A0
S. Nakayama	Jul.17'07			DRAWING NO. MC0282CB

REVISION	DATE	SIGN
変更 2	May.23'08	S. Nakayama

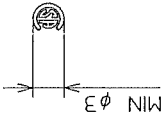
  

LET	REVISION	DATE	SIGN
△ X X			
△ X X			
△ X X			
△ X X			
△ X X			
△ X X			
△ X X			
△ X X			

#A151-00

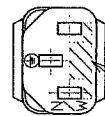
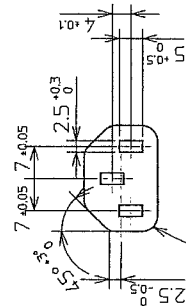
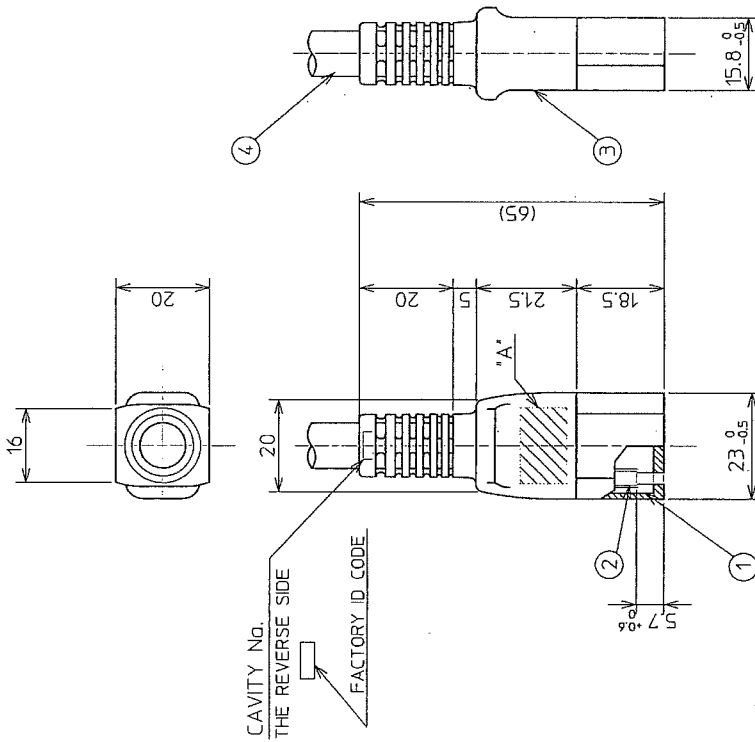
IT	NAME	MATERIAL	REMARK
1	INNER BASE	#66NYLON	C-485A
2	CONTACT SLEEVE	C519R-1/2H 1-0.6	B-202A
3	BODY	PVC	
4	CORD	3X1/4AWG	

MARKING OF THE REVERSE SIDE AREA "A"



MARKING OF AREA "A"

  
 15A 125V ~



VM0293  
HEWTECH

LET	REVISION	DATE	SIGN	TOLERANCE DIMENSION	ANGLE	SCALE	UNIT	NAME
△△				TOL.	DR. J. Nagashima		mm	UL PSE 15A 125V-3P-CONNECTOR
△△				L# 63	CH. Y. Ojawa		DATE	PART NO. VM02930-C0
△△					APP. S. Nakayama		DATE	DRAWING NO. MC0291CA
△△							DATE	



HIRAKAWA HEWTECH CORP.

E-050-99